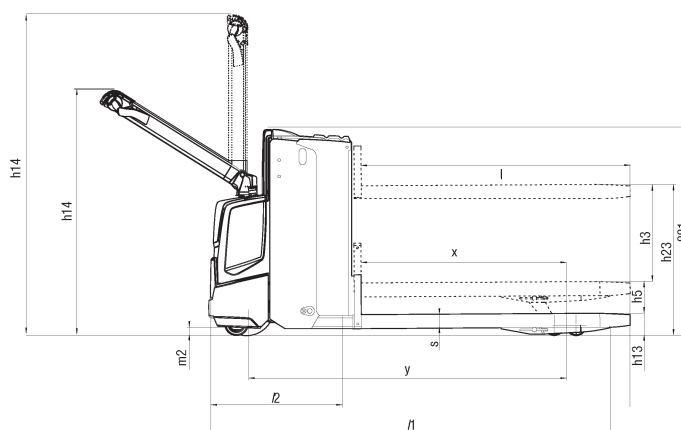


Pedestrian pallet truck with straddle and forklift.

MDE 200



Solid pedestrian pallet truck with fork lift. Robust, well-protected construction and tested performance ensures that the work is both pleasant and efficient. Easy to operate, even for inexperienced drivers and on uneven surfaces. This is a replacement for a hand pallet truck which also have an ergonomic workbench for picking. Perfect for shelving in warehouses and shops, short distance transports and other short-term use.



Mast type	Lift height H / h12	Height of mast lowered h1	Max mast height h4
Triplex			
Standard/Duplex			

	0	Specification	MDE 200		
Distinguishing mark	1.2	Manufacturer's type designation			
	1.3	Drive: electric (battery or mains), diesel, petrol, fuel gas	Electric		
	1.4	Operator type: hand, pedestrian, standing, seated, order-picker	Pedestrian		
	1.5	Load capacity/rated load	Q t	2.0/0.7	
	1.6	Load centre distance	c mm	600	
	1.8	Load distance, centre of load axle to fork	X	892	
	1.9	Wheelbase	y mm	1424	
	Weight	2.1	Service weight incl battery	kg	579
		2.2	Axle load, with load, front/rear	kg	770/1809
2.3		Axle load, without load, front / rear	kg	419/160	
2.4		Axle load, fork outreached with load, front / rear	kg		
2.5		Axle load, fork retracted with load, front / rear	kg		
Tyres, chassis	3.1	Tyres		Vulcollan	
	3.2	Tyre size, drive side	mm	85x75	
	3.3	Tyre size, load side	mm	230x70	
	3.4	Dimensions additional wheels (castor wheels)	mm	100x40	
	3.5	Wheels, number front/rear (drive side/load side, x = driven wheels)		4/1x+2	
	3.6	Track, drive side	b10 mm	480	
	3.7	Track, load side	b11 mm	375	
Dimensions	4.1	Tilt of mast/fork carriage, forward/backward	Grad		
	4.2	Height, mast lowered	h1 mm		
	4.3	Free lift	h2 mm		
	4.4	Lift height H = h13+h3	H mm	510	
	4.5	Height, mast extended	h4 mm		
	4.6	Straddle lift	h5 mm	135	
	4.7	Height of overhead guard (cabin)	h6 mm		
	4.8	Seat height/stand height	h7 mm		
	4.10	Height of wheel arms	h8 mm		
	4.11	Additional lift	h9 mm		
	4.14	Stand height, elevated	h12 mm		
	4.15	Height lowered	h13 mm	90	
	4.19	Overall length	l1 mm	1780	
	4.20	Length to face of forks	l2 mm	630	
	4.21	Overall width	b1 mm	720	
	4.21.1	Width over stabilizers	mm		
	4.22	Fork dimensions	s/e/l mm	59/184/1150	
	4.23	Fork carriage to ISO 2328, clas / form A, B			
	4.24	Width of fork carriage	b3 mm		
	4.25	Width over forks, min/max	b5 mm	570	
	4.26	Distance between wheel arms	b4 mm		
	4.27	Width across guide rolls	b6 mm		
	4.28	Reach distance	l4 mm		
	4.29	Reach lateral	b7 mm		
	4.30	Reach lateral from vehicle centerline	b8 mm		
4.31	Ground clearance, mast	m1 mm			
4.32	Ground clearance, centre of wheelbase	m2 mm	30		
4.33	Aisle width with pallet 1000 x 1200, crosswise	Ast mm	1826		
4.34	Aisle width for pallet 800 x 1200, lengthwise	Ast mm	2026		
4.35	Turning radius	Wa mm	1518		
4.37	Length incl reach legs	l7 mm			
4.38	Distance to swivelling-fork pivot	0 mm			
Performance data	5.1	Travel speed, with/without load	km/h	6.0/6.0	
	5.1.1	Travel speed with/without load, backwards	km/h		
	5.2	Lift speed, with/without load	m/s	0.11/0.14	
	5.3	Lowering speed, with/without load	m/s	0.13/0.12	
	5.4	Reach speed, with / without load	m/s		
	5.7	Gradient, with/without load	%	9/20	
	5.8	Max gradeability, with / without load, 5 min rating	%		
	5.9	Acceleration time 0-10 m, with/without load	s		
	5.10	Service brake: electric, hydraulic		Electric	
	5.10.1	Parking brake: electric, hydraulic		Electric	
Electric engine	6.1	Drive motor, rating S2 60 min	kW	1.0	
	6.2	Lift motor	kW	1.2	
	6.3	Battery according to DIN 43531/35/36	A,B,C		
	6.4	Battery voltage / Battery capacity	V/Ah	24/150	
	6.5	Battery weight	kg	151	
	6.6	Power consumption according to VDI cycle	kWh/h		
Additional data	8.1	Speed regulation		Stepless	
	10.1	Operating pressure attachments	bar		
	10.2	Oil flow for attachments	l/min		
	10.7	Noise level at operator's ear, according to EN 12 053	db(A)		

* Varies according to battery size

All rights reserved to change above specification