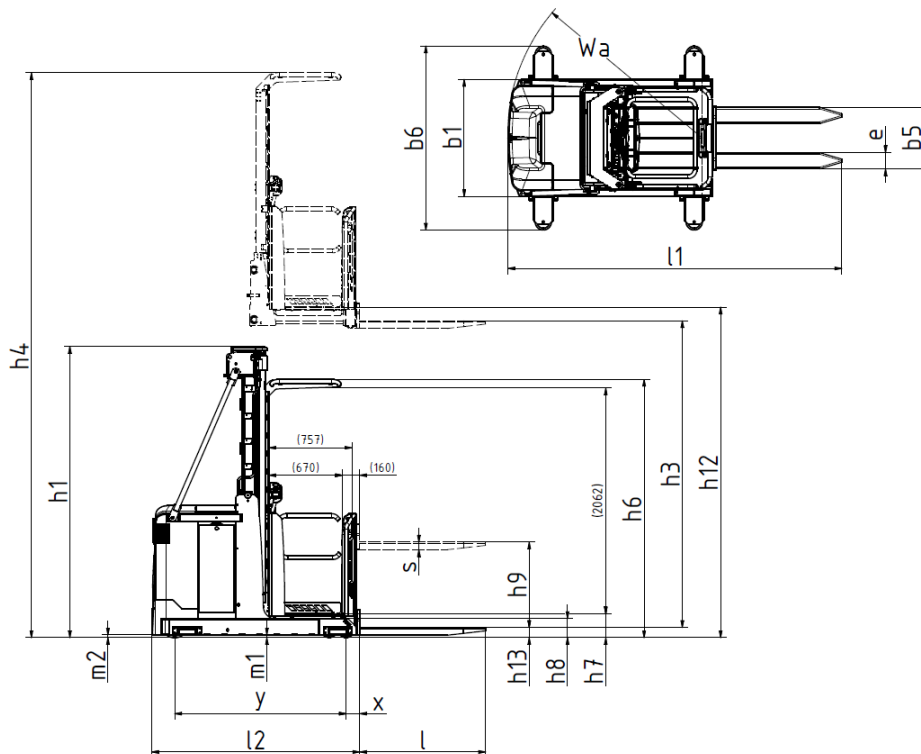


EPM 100 DTFV

1000 kg medium level order picker.
 Providing picking heights up to 9.850mm. Combining great performance with high levels of safety.



Mast type	Lift height H / h12	Height of mast lowered h1	Max mast height h4
Triplex	5200	2370	7360
	5500	2470	7660
	6100	2670	8260
	6550	2820	8710
	7000	2970	9160
	7800	3237	9960
	8250	3387	10410
Standard/Duplex			

Distinguishing mark	0	Specification		EPM 100 DTFV		
	1.2	Manufacturer's type designation				
	1.3	Drive: electric (battery or mains), diesel, petrol, fuel gas		Electric		
	1.4	Operator type: hand, pedestrian, standing, seated, order-picker		Order picker		
	1.5	Load capacity/rated load	Q	t	1	
	1.6	Load centre distance	c	mm	400-600	
	1.8	Load distance, centre of load axle to fork	X		204	
	1.9	Wheelbase	y	mm	1568	
	Weight	2.1	Service weight incl battery		2060 kg + 91,5 x h12 (m)	
2.2		Axle load, with load, front/rear		1060/2860 Min batt.		
2.3		Axle load, without load, front / rear		1640/1280 Min batt.		
2.4		Axle load, fork outreached with load, front / rear		n/a		
2.5		Axle load, fork retracted with load, front / rear		n/a		
Tyres, chassis	3.1	Tyres		Vulcollan		
	3.2	Tyre size, drive side		250x105		
	3.3	Tyre size, load side		150x55		
	3.4	Dimensions additional wheels (castor wheels)		n/a		
	3.5	Wheels, number front/rear (drive side/load side, x = driven wheels)		1x/8		
	3.6	Track, drive side	b10	mm	n/a	
	3.7	Track, load side	b11	mm	906/1006	
Dimensions	4.1	Tilt of mast/fork carriage, forward/backward		Grad		
	4.2	Height, mast lowered	h1	mm	h12/3+637	
	4.3	Free lift	h2	mm	n/a	
	4.4	Lift height H = h13+h3	H	mm	4885-8035	
	4.5	Height, mast extended	h4	mm	h12+2160	
	4.6	Straddle lift	h5	mm	n/a	
	4.7	Height of overhead guard (cabin)	h6	mm	2356	
	4.8	Seat height/stand height	h7	mm	215-h12	
	4.10	Height of wheel arms	h8	mm	175	
	4.11	Additional lift	h9	mm	775	
	4.14	Stand height, elevated	h12	mm	5200-8250	
	4.15	Height lowered	h13	mm	90	
	4.19	Overall length	l1	mm	3135	
	4.20	Length to face of forks	l2	mm	1982	
	4.21	Overall width	b1	mm	1070/1170	
	4.21.1	Width over stabilizers		mm	n/a	
	4.22	Fork dimensions	s/e/l	mm	70/147/1150	
	4.23	Fork carriage to ISO 2328, clas / form A, B			n/a	
	4.24	Width of fork carriage	b3	mm	560	
	4.25	Width over forks, min/max	b5	mm	450 - 800	
	4.26	Distance between wheel arms	b4	mm	n/a	
	4.27	Width across guide rolls	b6	mm	1248-1814	
	4.28	Reach distance	l4	mm	n/a	
	4.29	Reach lateral	b7	mm	n/a	
	4.30	Reach lateral from vehicle centerline	b8	mm	n/a	
	4.31	Ground clearance, mast	m1	mm	n/a	
	4.32	Ground clearance, centre of wheelbase	m2	mm	25	
	4.33	Aisle width with pallet 1000 x 1200, crosswise	Ast	mm	n/a	
	4.34	Aisle width for pallet 800 x 1200, lengthwise	Ast	mm	Platform or load width + clearance	
	4.35	Turning radius	Wa	mm	1790	
	4.37	Length incl reach legs	l7	mm	n/a	
	4.38	Distance to swivelling-fork pivot	0	mm	n/a	
	Performance data	5.1	Travel speed, with/without load		km/h	11/11
		5.1.1	Travel speed with/without load, backwards		km/h	11/11
5.2		Lift speed, with/without load		m/s	0,26/0,37	
5.3		Lowering speed, with/without load		m/s	0,45/0,43	
5.4		Reach speed, with / without load		m/s	n/a	
5.7		Gradient, with/without load		%	n/a	
5.8		Max gradeability, with / without load, 5 min rating		%	7,1	
5.9		Acceleration time 0-10 m, with/without load		s	6,3/5,8	
5.10		Service brake: electric, hydraulic			Electric	
5.10.1		Parking brake: electric, hydraulic			Electric	
Electric engine	6.1	Drive motor, rating S2 60 min		kW	2,7	
	6.2	Lift motor		kW	8 (20%)	
	6.3	Battery according to DIN 43531/35/36		A,B,C	BS	
	6.4	Battery voltage / Battery capacity		V/Ah	24/560-775	
	6.5	Battery weight		kg	Min 500 Max 700	
	6.6	Power consumption according to VDI cycle		kWh/h		
Additional data	8.1	Speed regulation			AC traction	
	10.1	Operating pressure attachments		bar	n/a	
	10.2	Oil flow for attachments		l/min	n/a	
	10.7	Noise level at operator's ear, according to EN 12 053		db(A)	66	

* Varies according to battery size

All rights reserved to change above specification